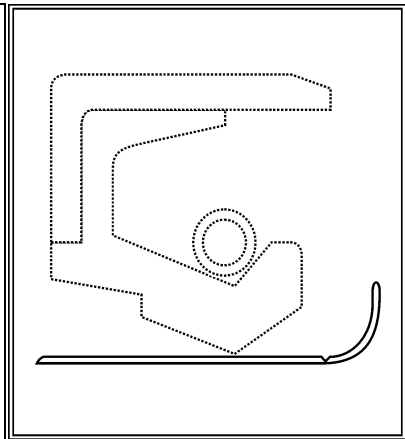
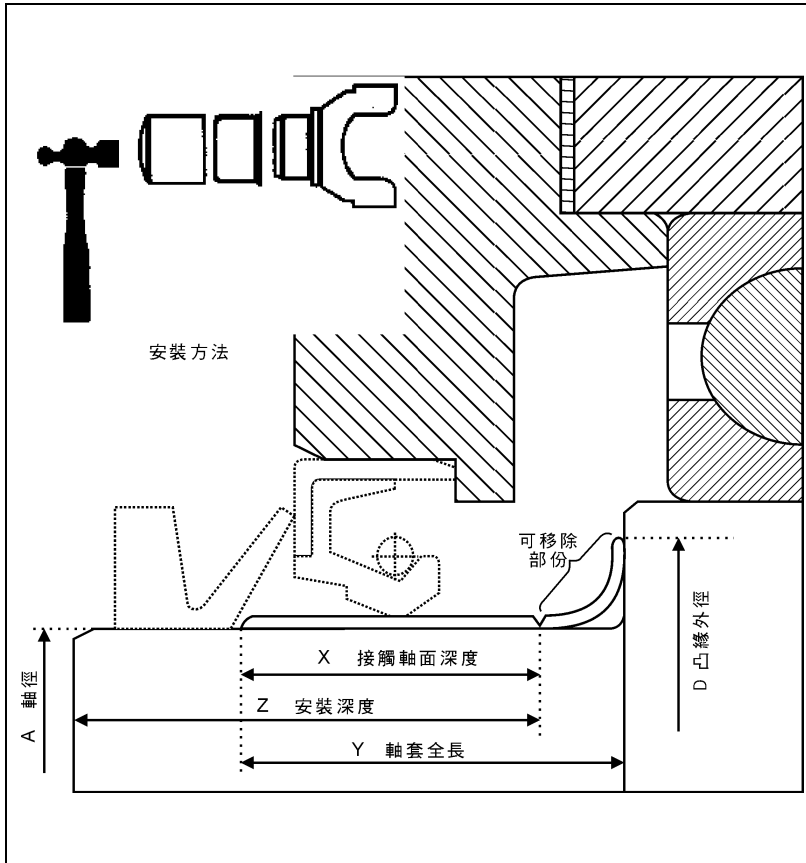


Shaft Surface Shield

軸盾



SSS



SSS rebuilds worn shaft surface with titanium alloy coating on stainless steel sleeve, better than original.

SSS 不銹鋼套管表面的鈦合金塗層加上特殊打磨工序能把已被磨損的軸表面快速重建勝過原裝，無需更換油封尺寸，使用壽命可能更長。

公制 mm							SSS Number 編號	英吋 Inch						
Nominal Shaft Dia 軸徑	Shaft Dia. Range 適用軸徑範圍 最小(Min) 最大(Max)		接觸軸面 寬度 X	軸套 全長 Y	凸緣外徑 D	安裝深度 Z		Nominal Shaft Dia 軸徑	Shaft Dia. Range 適用軸徑範圍 最小(Min)最大(Max)		接觸軸面 寬度 X	軸套 全長 Y	凸緣外徑 D	安裝深度 Z
12	11.913	12.065	6	8.4	15.5	48	99049	0.472	0.469	0.475	0.236	0.331	0.61	1.875
12.7	12.649	12.751	6.4	8.7	15.5	51	99050	0.5	0.498	0.502	0.25	0.344	0.61	2
14	13.894	13.995	6.4	9.9	19.1	47	99055	0.551	0.547	0.551	0.251	0.389	0.752	1.831
14.3	14.224	14.376	6.4	9.9	19.1	47	99056	0.563	0.56	0.566	0.25	0.391	0.75	1.831
15	14.961	15.062	5	9	19.1	48	99059	0.591	0.589	0.593	0.197	0.354	0.75	1.862
15.88	15.824	15.926	8	10.3	19.1	51	99062	0.625	0.623	0.627	0.313	0.406	0.75	2
16	15.85	16.002	8	11.1	19.1	51	99058	0.63	0.624	0.63	0.315	0.437	0.752	2
17	16.942	17.043	8	11	27	51	99068	0.669	0.667	0.671	0.313	0.433	1.063	2
17.37	17.323	17.424	8	11.1	22.9	51	99060	0.684	0.682	0.686	0.313	0.438	0.9	2
18	17.882	18.009	8	11	27	46	99082	0.706	0.704	0.709	0.315	0.433	1.063	1.811
19	18.999	19.101	8	11.1	24	51	99076	0.75	0.748	0.752	0.313	0.438	0.945	2
19.3	19.279	19.329	8	11.1	23.8	51	99081	0.76	0.759	0.761	0.313	0.438	0.938	2
19.86	19.812	19.914	8	11.1	23.8	51	99080	0.781	0.78	0.784	0.313	0.438	0.935	2
20	19.939	20.041	8	11	23.6	51	99078	0.787	0.785	0.789	0.313	0.433	0.93	2
21.82	21.768	21.869	6.5	9.5	29.3	51	99086	0.859	0.857	0.861	0.25	0.375	1.155	2
22	21.869	21.996	6.6	9.1	30.2	47	99084	0.866	0.861	0.866	0.259	0.359	1.188	1.856
22	21.869	21.996	8	12	30.2	46	99085	0.866	0.861	0.866	0.315	0.472	1.188	1.812
22.23	22.174	22.276	8	11.1	27.8	51	99087	0.875	0.873	0.877	0.313	0.438	1.094	2
23.11	23.063	23.165	8	11.1	30.9	47	99091	0.91	0.908	0.912	0.313	0.438	1.218	1.847
24	23.876	24.003	8	11.1	28.7	51	99092	0.945	0.94	0.945	0.315	0.437	1.13	2
24.61	24.536	24.638	8	11.1	28.7	51	99094	0.969	0.966	0.97	0.313	0.438	1.13	2
24.61	24.536	24.638	15.9	18.3	28.7	51	99096	0.969	0.966	0.97	0.625	0.719	1.13	2
25	24.943	25.044	8	11	33	51	99098	0.984	0.982	0.986	0.313	0.433	1.3	2
25.4	25.349	25.451	8	11.1	31	51	99100	1	0.998	1.002	0.313	0.438	1.219	2
26	25.883	26.01	8	12	33.3	47	99103	1.024	1.019	1.024	0.313	0.472	1.312	1.813
27	26.924	27.026	8	11	33.5	72	99106	1.063	1.06	1.064	0.313	0.438	1.32	2.813
27.66	27.61	27.711	8	11.1	35.7	16	99108	1.089	1.087	1.091	0.313	0.438	1.406	0.625
28	27.94	28.042	9.5	12.7	34.9	47	99111	1.102	1.1	1.104	0.375	0.5	1.375	1.843
28.58	28.524	28.626	8	11.1	38.1	18	99112	1.125	1.123	1.127	0.313	0.438	1.5	0.688
29.36	29.312	29.413	9.5	12.7	34.3	18	99120	1.156	1.154	1.158	0.375	0.5	1.35	0.688

